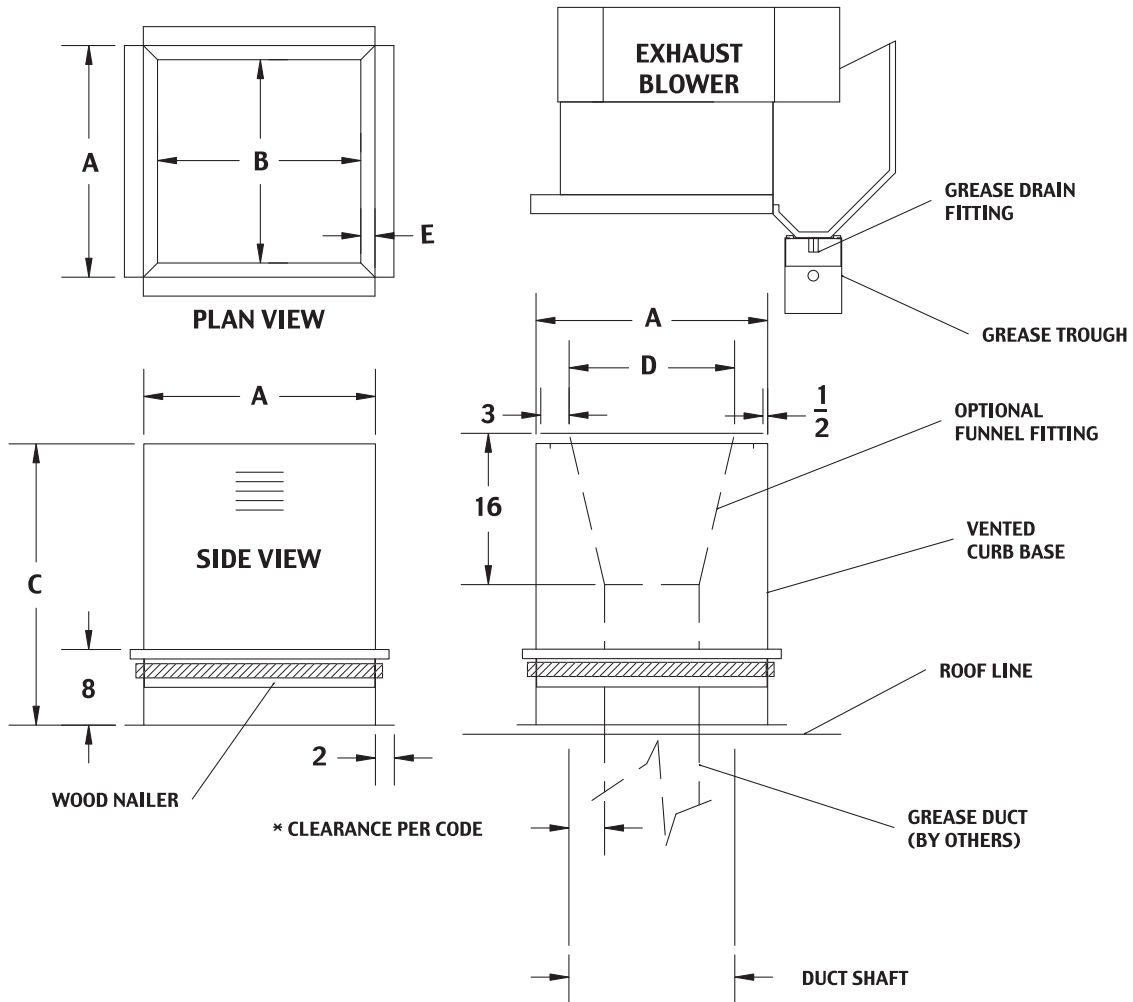


Restaurant Exhaust Fans

Models RE12, RE15, RE18, RE22 and RE24



INSTALLATION PROCEDURE

1. LOOSEN HINGE BOLT SECURING BLOWER TO BASE, SET BASE ON ROOF.
2. DROP GREASE DUCT ON BASE THROUGH OPENING IN BASE. FLANGE ON DUCT WILL SET ON LIP OF BASE TO HOLD DUCT IN PLACE
3. SET BLOWER ON BASE AND TIGHTEN BOLTS THAT SECURE HINGES TO BASE.

Model	A	B	C	D	E
RE-12	24 1/2	21 1/2	29 3/4	17 1/2	1 1/2
RE-15	24 1/2	21 1/2	29 3/4	17 1/2	1 1/2
RE-18	39 7/8	36 7/8	26	33	1 1/2
RE-22	39 7/8	36 7/8	26	33	1 1/2
RE-24	47	43	21	40	2