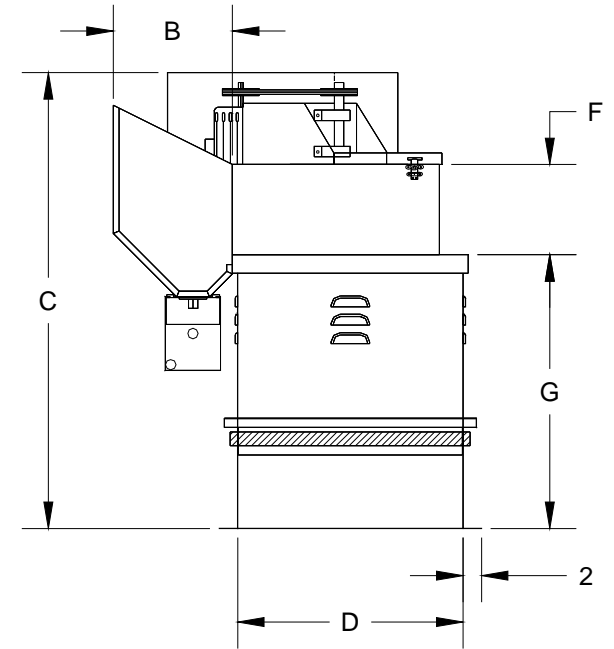
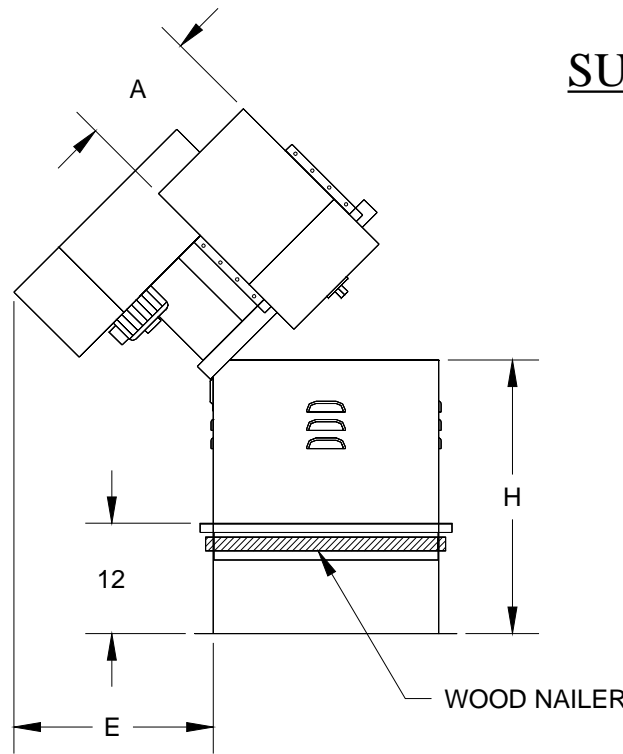




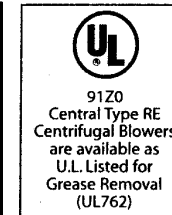
CENTRAL BLOWER CO.

211 S. 7TH AVE.
 CITY OF INDUSTRY, CA 91746
 (626) 330-3182 FAX (626) 330-9406
 www.centralblower.com

**RE - RESTAURANT
 EXHAUSTER**



MODEL	A	B	C	D	E	F	G	H
RE 12	13 1/8	13 1/4	49 1/8	24 1/2	20	9 3/4	30 1/4	29 3/4
RE 15	15	16 3/4	53 7/8	24 1/2	22	12 1/8	30 1/4	29 3/4
RE 18	19 5/8	19 1/4	53	39 7/8	25	14 1/2	26 1/2	26
RE 22	23 13/16	23 1/2	58 1/2	39 7/8	28	17 13/16	26 1/2	26
RE 24	26 1/4	25 7/8	57 1/4	47	30	19 1/2	21 1/2	21



Central Blower Co. certifies that the Belt Drive Blowers shown on pages 2 through 15 are licensed to bear the AMCA Seal. The ratings shown are based on tests and procedures performed in accordance with AMCA Publication 211 and comply with the requirements of AMCA Certified Ratings Program.

PROJECT:	ENGINEER:	CERTIFIED BY:
	CONTRACTOR:	TITLE:
LOCATION:	ARCHITECT:	DATE:

ITEM	MODEL	QTY.	CFM	O.V	SP	RPM	HP	VOLT	PH.	CL.	ARR.	WGT.

ACCESSORIES & REMARKS

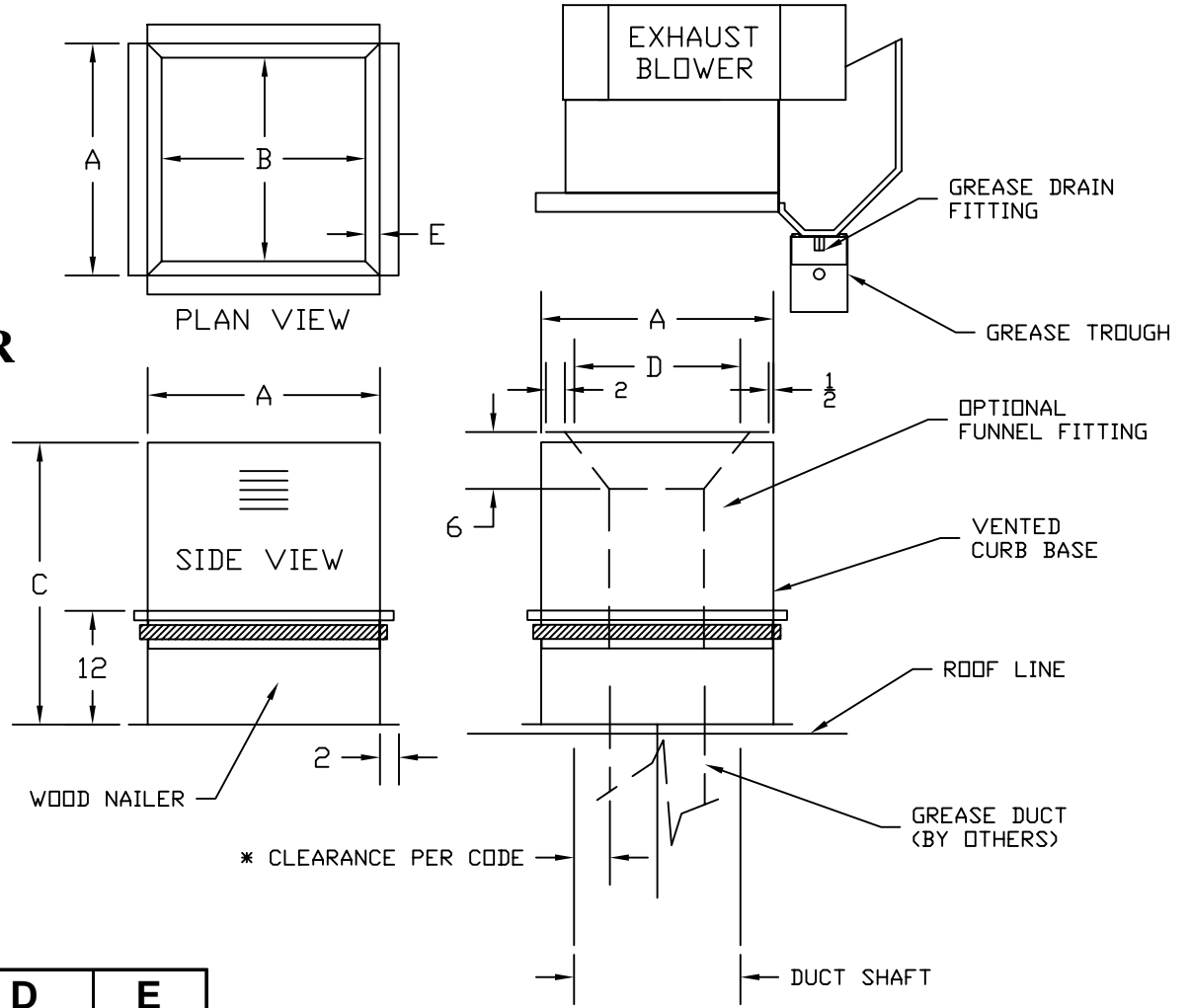


CENTRAL BLOWER CO.

211 S. 7TH AVE.
 CITY OF INDUSTRY, CA 91746
 (626) 330-3182 FAX (626) 330-9406
 www.centralblower.com

**RE - RESTAURANT EXHAUSTER
 CURB DETAIL**

OPTIONAL FUNNEL FITTING &
 SIDE INLET FITTING AVAILABLE
 CONTACT FACTORY FOR DETAILS



MODEL	A	B	C	D	E
RE 12	24 1/2	21 1/2	29 3/4	17 1/2	1 1/2
RE 15	24 1/2	21 1/2	29 3/4	17 1/2	1 1/2
RE 18	39 7/8	36 7/8	26	33	1 1/2
RE 22	39 7/8	36 7/8	26	33	1 1/2
RE 24	47	43	21	40	2

INSTALLATION PROCEDURE

1. LOOSEN HINGE BOLT SECURING BLOWER TO BASE, SET BASE ON ROOF.
2. DROP GREASE DUCT ON BASE THROUGH OPENING IN BASE. FLANGE ON DUCT WILL SET ON LIP OF BASE TO HOLD DUCT IN PLACE
3. SET BLOWER ON BASE AND TIGHTEN BOLTS THAT SECURE HINGES TO BASE.